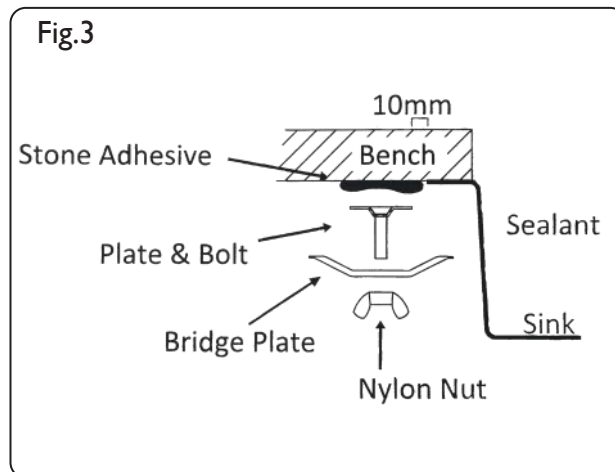
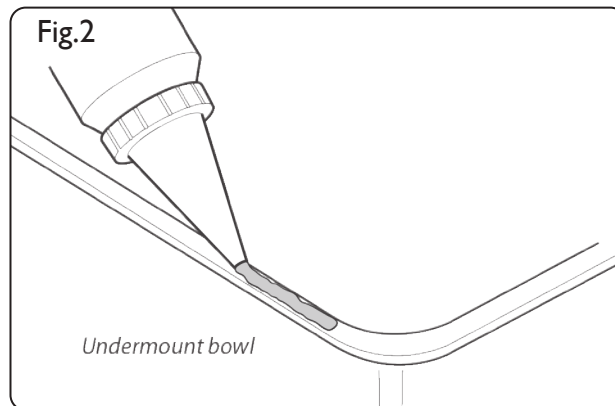
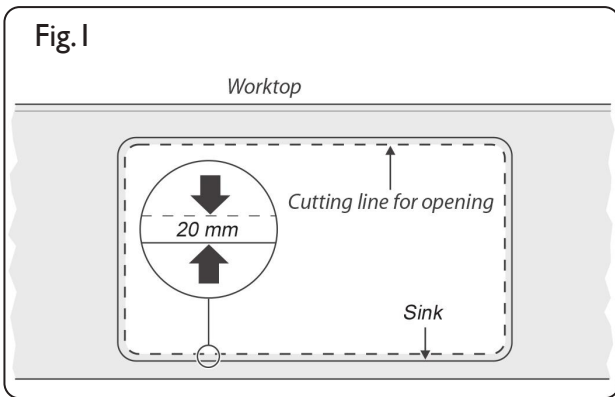


# SPECTRA PVD INSTALLATION INSTRUCTIONS & AFTERCARE INFORMATION



## Installer

Please leave this leaflet with the user, as it contains valuable after care advice.

### Notes

- ⚠ Undermount sinks should only be fixed to granite worktops by a specialist installer.
- ⚠ Please beware of sharp metal edges prior to and during installation.
- ⚠ During installation, take care to protect the bowl from scuffs and scratches.
- ⚠ Avoid straining and overtightening of all plumbing fixtures connected to the bowl.
- ⚠ We recommend that the worktop opening is sealed using waterproof sealant or a similar material.

## Undermount Installation

### Preparing the Worktop

1. Decide on the position that your bowl (or bowls) is to be fitted. Check that the bowl will not foul on the cabinet below.
2. Place the sink upside down on the worktop. Referring to the templates as shown in this booklet, use a soft, sharp pencil to draw around the bowl as accurately as possible, after this draw another line all round 20mm inward of the first line drawn, final cutting line size should match sizes given in template –this is the cutting line for the opening (Fig. 1). Take note of the Radius of the corner required and adjust your template accordingly, please see page 3 for the cutting templates.
3. Drill as large a hole as possible inside the cutting line. Using a padsaw, jigsaw or similar, cut out the opening up to the cutting line.

### Applying the Sealant

Apply silicon sealant (not supplied) to the bowl rim (Fig. 2)

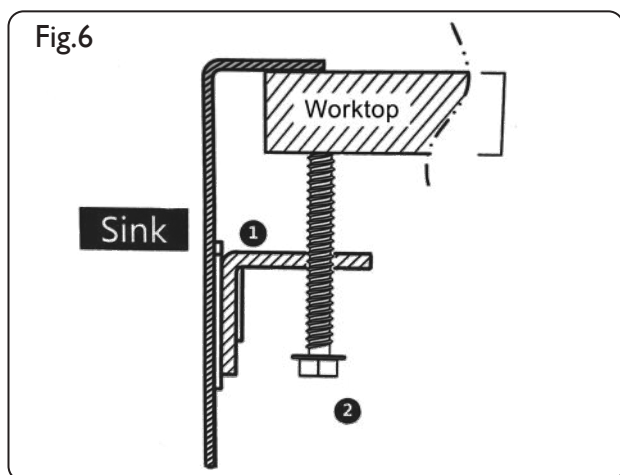
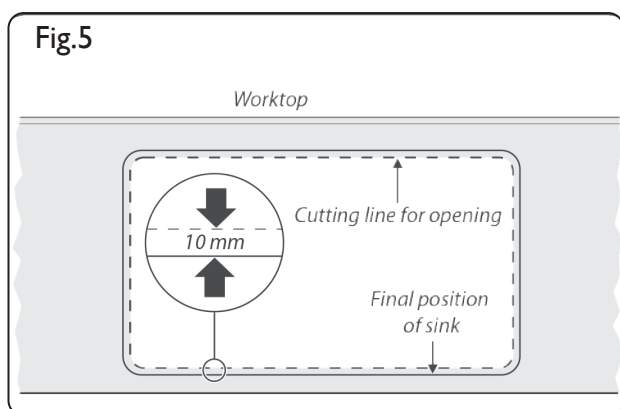
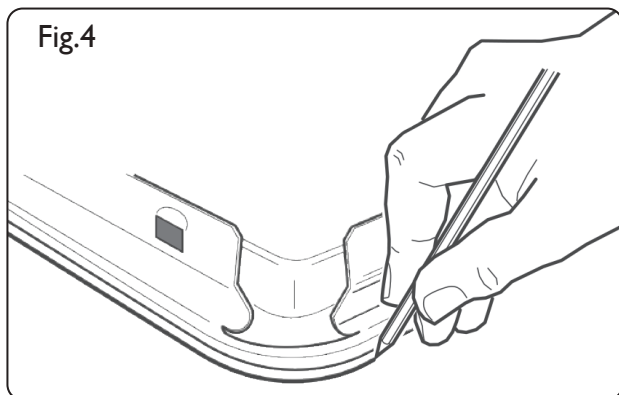
### Fitting the Bowl

1. Position the bowl to the worktop. Using the fixing clamps and screws, evenly space out the positioning of each and secure the bowl to the worktop (Fig. 3).
2. Plates and bolts should be positioned 10mm from the sink edge.
3. When setting the plates and bolts in place allow sufficient time for adhesive to cure.

⚠ DO NOT tighten full at first attempt.

⚠ DO NOT overtighten.

# INSTALLATION



## Inset Installation

### Marking Out the Opening

1. We recommend that you fit the inset sink to the worktop before permanently fixing the worktop to the cabinet.
2. Place the sink upside down on the worktop and position the sink as required.  
Make sure the cabinet framework will clear all parts of the sink. Using a soft, sharp pencil draw around the sink as accurately as possible (Fig. 4). Remove the sink
3. Draw another line 10mm inside the sink top outline – this is the cutting line for the opening (Fig.5)
4. Drill as large hole as possible inside the cutting line. Using a padsaw, jigsaw or similar, cut out the opening up to the cutting line.

### Fitting the Sink

1. Apply a suitable sealant to the underside of the sink rim.
2. Place the sink into the worktop opening.
3. Using the inset sink clip set insert the screw (2) through the bracket (1) by approximately 5mm.
4. Slide the bracket (1) fully into the bowl wall slot.
5. Centre the sink and rotate the screws until all clips are firmly up against the underside of the worktop, and then retighten in an opposed diagonal pattern.



**DO NOT** tighten fully at first attempt.

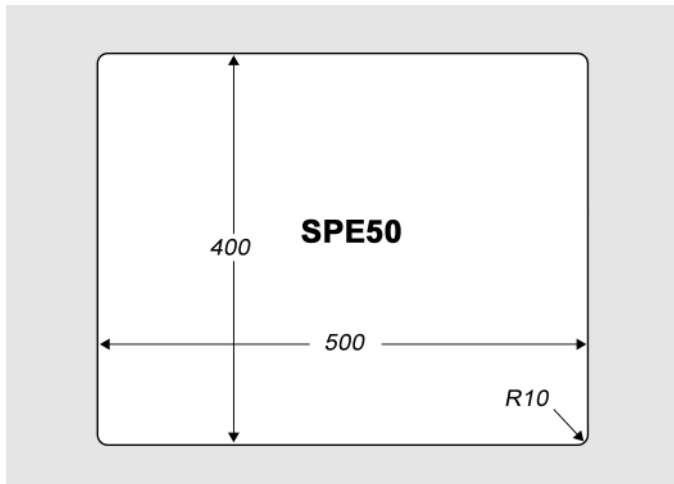


**DO NOT** overtighten as this may distort the sink rim.

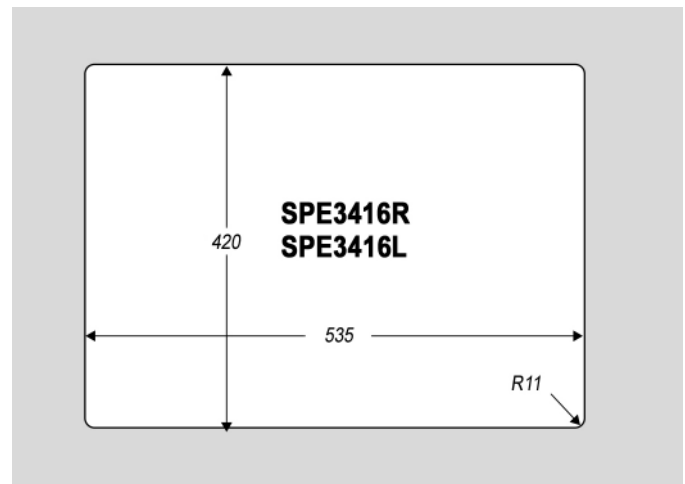
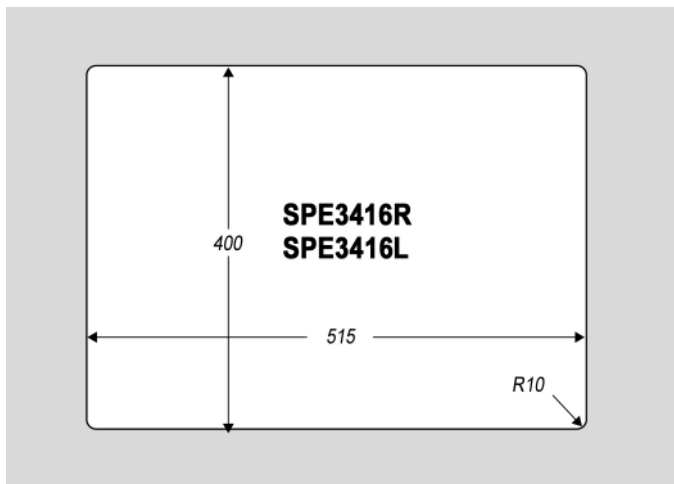
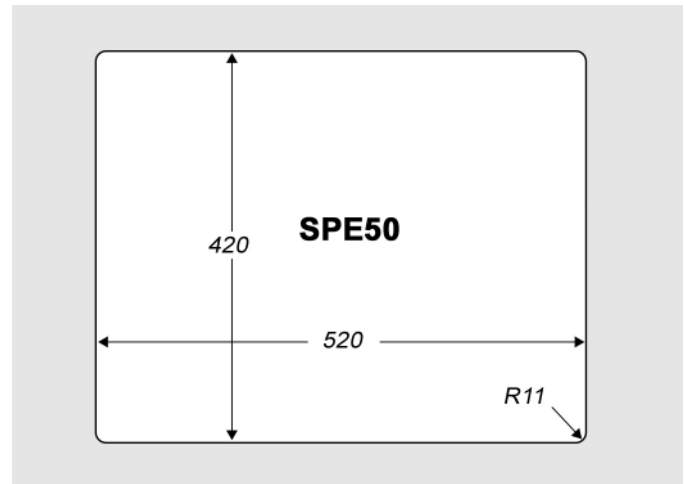
Remove any surplus sealing material.

# CUT OUT TEMPLATES

## Undermount Installation



## Inset Installation



## AFTER CARE

### Day-to-Day Care

Your PVD sink has had a three stage surface treatment process applied to produce a smooth, coloured, hardwearing surface. Harsh scratching should be avoided, over time you can expect your sinks surface to develop a patina that reflects its duty of service.

Routine cleaning of your stainless steel sink is easy if the following simple procedure is followed:

After use wipe the bowl with a soft damp soapy cloth and rinse with clean water and towel dry the sink after each use to avoid water spots and remove standing water, which may build up mineral deposits causing limescale over time.

Although stainless steel is an extremely durable material and will withstand a great deal of hard use, it can be scratched by hard or sharp objects. If the surfaces are to be kept in a blemish free condition reasonable care should be taken when handling such items.

Always remove wet cleaning aids (cloths, containers, etc.) from the sink surface after use to avoid the formation of water marks and rust stains.

We do not recommend the use of plastic washing up bowls as grit can attach to the base of the bowl which can scratch the surface of the sink.

Do NOT pour strong chemicals down the sink such as bleach, white spirit, ammonia, caustic soda and sterilising solutions.

### Cleaning

Always use a soft cloth. Do NOT use harsh abrasive materials such as wire wool pads or heavy duty scouring pads as these will damage the sinks surface. Wire wool pads can leave tiny fragments of wire embedded in the surface and these can rust and leave small brown rust stains.

Regularly clean your sink with warm soapy water, rinse and towel dry.

In hard water areas, an application of proprietary cream cleaner will avoid any build-up of a dull film of waterborne deposits, always rinse thoroughly and towel dry after use.

### Caution!

**Certain household products contain substances that will attack the stainless steel surface. They are:**

#### 1. Bleaches

Do NOT use neat bleach in the sink, if left this can damage the surface of the sink, if bleach should come into contact with the sink, please rinse thoroughly. Most common domestic bleaches contain Chlorine in the form of a hypochlorite. Chlorine attacks the microscopic Chromium Oxide film on the surface and can cause pitting on the surface. All cleaning agents containing hypochlorites are unsuitable for use with stainless steel.

#### 2. Silver Dip Cleaners

These contain strong acids that can cause discolouration and pitting.

#### 3. Corrosive Foodstuffs

Fruit juices, damp salt, vinegar, ready made mustards, pickle and mayonnaise can cause pitting and corrosion if left in contact for long periods.

#### 4. Acids

Sulphuric, Hydrochloric and other strong acids will cause pitting corrosion, if contact occurs rinse immediately with clean water.

### 25 Year Guarantee

We guarantee to replace any stainless steel sink that breaks due to material or manufacturing defects within 25 years from the date of purchase.

The guarantee does not cover normal wear and tear occurring through use of the product.

For the guarantee to apply the owner must follow the use, care and cleaning instructions provided.

Accessories and waste fittings are not included in this guarantee.



## RANGEmaster

Meadow Lane, Long Eaton,  
Nottingham, NG10 2GD

Tel: 0115 946 4000 E-mail: [consumers@agarangemaster.co.uk](mailto:consumers@agarangemaster.co.uk)  
[www.rangemaster.co.uk](http://www.rangemaster.co.uk)

21

EN 13310 : 2015

Kitchen sink made of:	Stainless Steel
Cleanability:	Pass
Load resistance:	NPD / N/A
Durability:	Pass